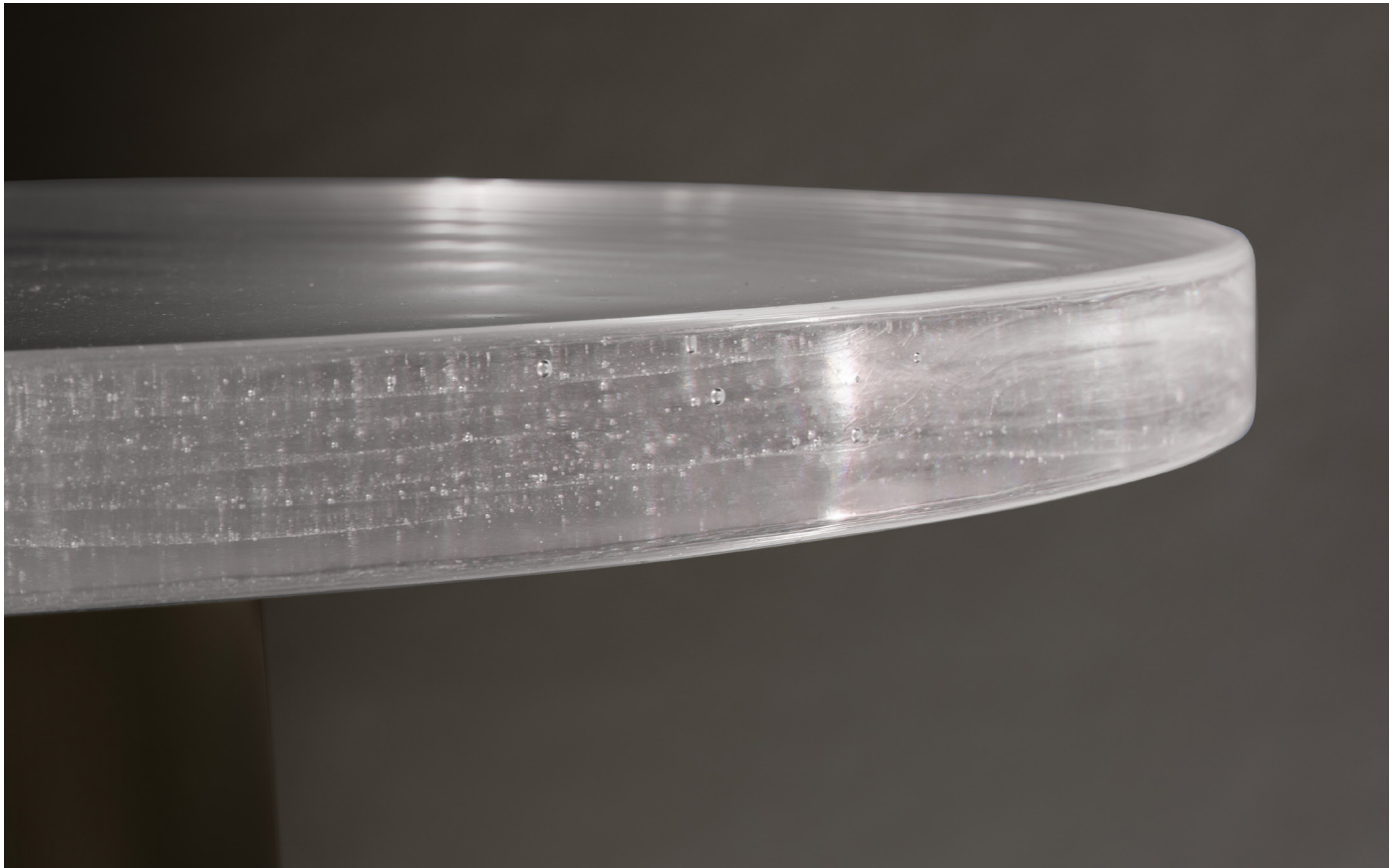
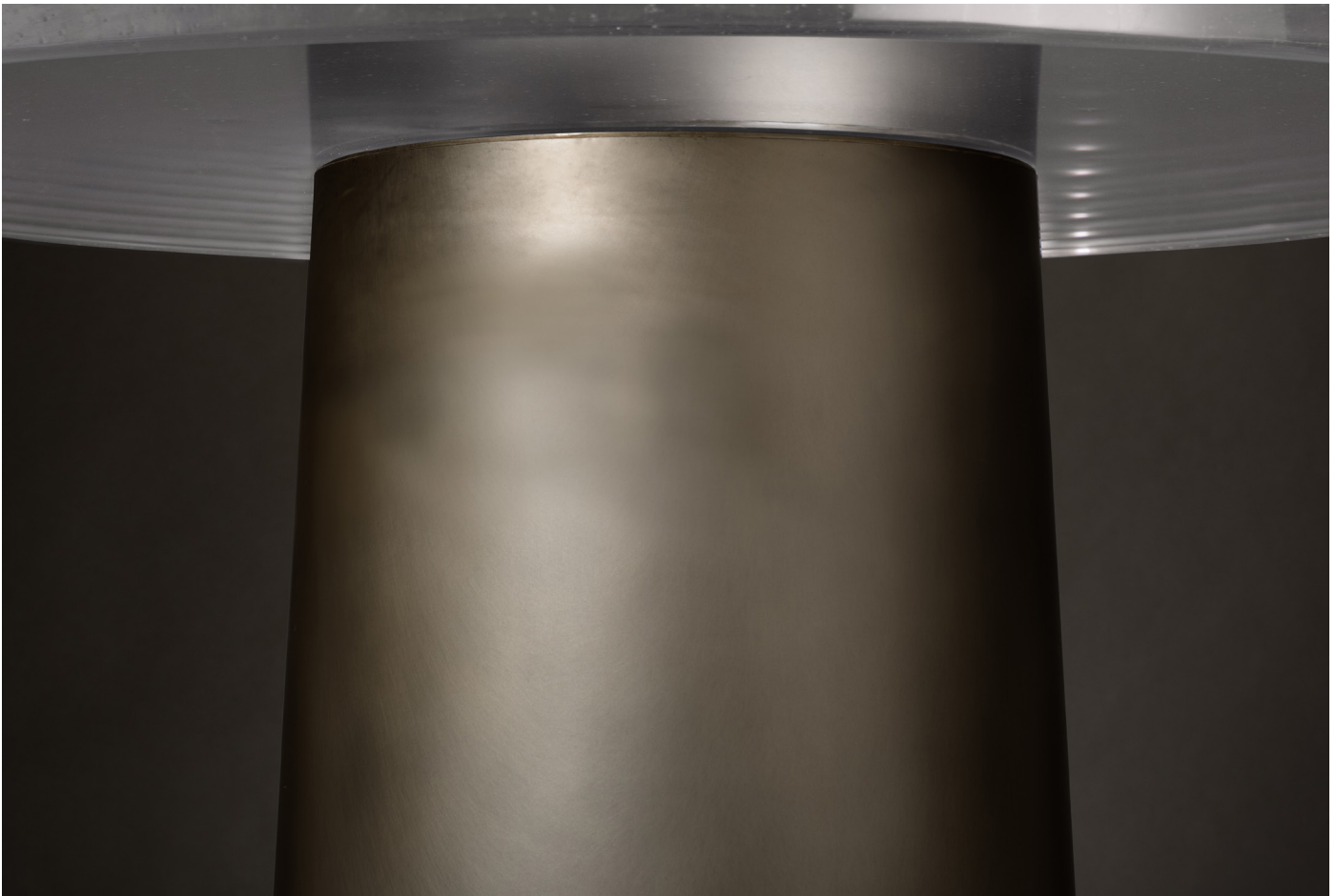


MONOLITH DINING TABLE



MONOLITH DINING TABLE

MODEL NO: 10370X01

Hand cast, thick glass crystal on sculpted, patinated ombré metal base

AS SHOWN (IN PHOTO)

Tapered base with circular top - approx. dimensions
60"W x 60"D x 31"H
Glass - clear
Metal - ombré brass

DIMENSIONS

Available in eighteen sizes:

Rounded Base

36"W x 30"H
42"W x 30"H
48"W x 30"H
60"W x 30"H
66"W x 30"H
72"W x 30"H

Squared Base

36"W x 30"H
42"W x 30"H
48"W x 30"H
60"W x 30"H
66"W x 30"H
72"W x 30"H

Tapered Base

36"W x 30"H
42"W x 30"H
48"W x 30"H
60"W x 30"H
66"W x 30"H
72"W x 30"H

AVAILABLE FINISHES

Glass Crystal Color - clear crystal, olivine*, smoke*, topaz*

Metal - natural metal, tarnished metal, aged blackened metal, natural brass*, tarnished brass*, aged blackened brass*, ombré metal*, ombré brass*, brushed to polished ombré metal*, brushed to polished ombré brass*

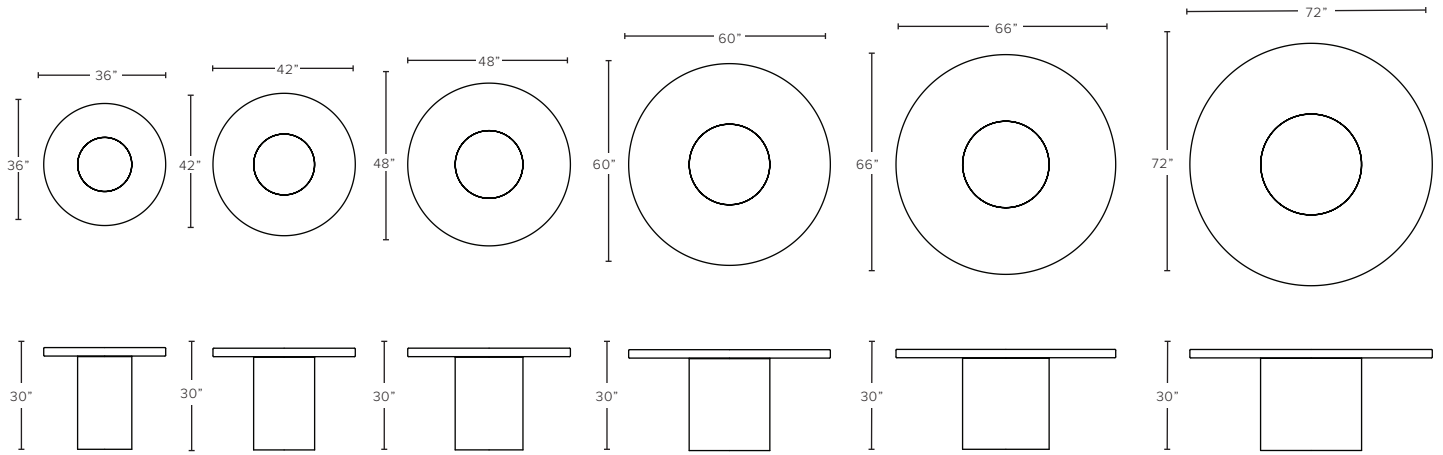
*premium finish - refer to price guide for additional charges

ADDITIONAL NOTES

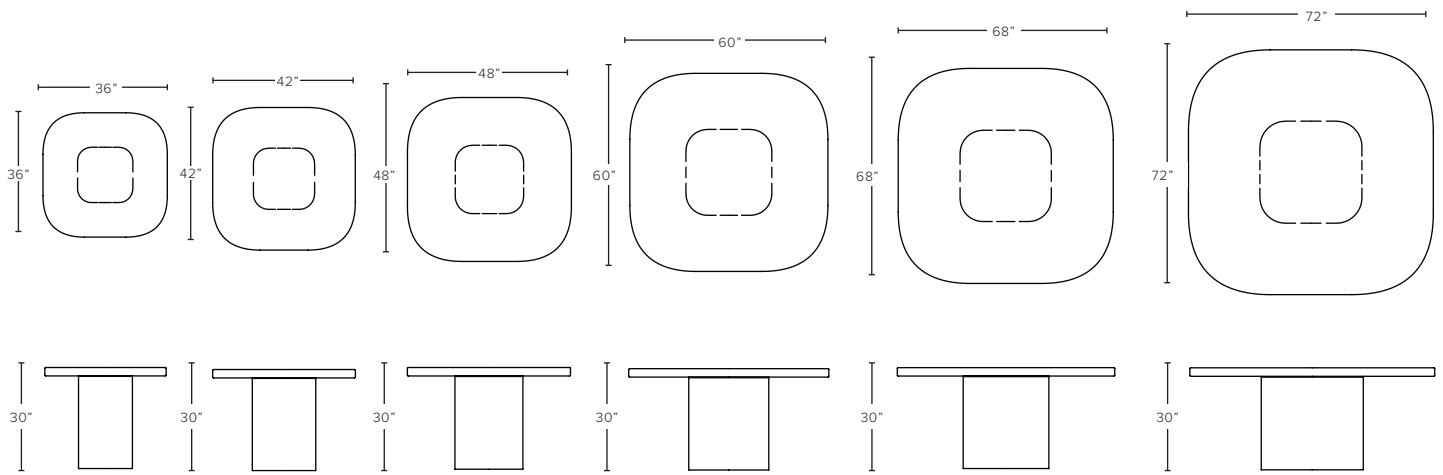
General lead time for standard finishes is 16-20 weeks. Updated lead times provided at time of formal quoting. Tables weigh between 300 and 1250 lbs. Installation must be performed by a qualified installer - please contact us for additional information.



ROUNDED BASE



SQUARED BASE



TAPERED BASE

