





All Lighting Design and Design Elements are ©2024 by Jonathan Browning Studios, Inc.

VOLTAIRE MOBILE CHANDELIER

DESCRIPTION

The Voltaire Mobile Chandelier is made from heavy-walled brass tubing. All parts are hand polished and patina'd. The handmade shades are crafted from unglazed white porcelain, which emits a warm glow when lit from within.

FINISHES

Shown in Oil Rubbed Bronze (standard). Please inquire about our other finishes. Note: All finishes may vary slightly.

SHADE

Unglazed Porcelain

MODEL

2 4 0 5

DIMENSIONS

55.25DIA x 60OAH

NET WT.

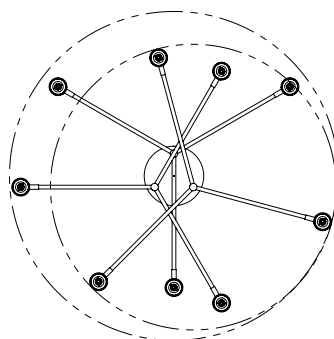
45 lbs

CEILING PLATE / J-BOX

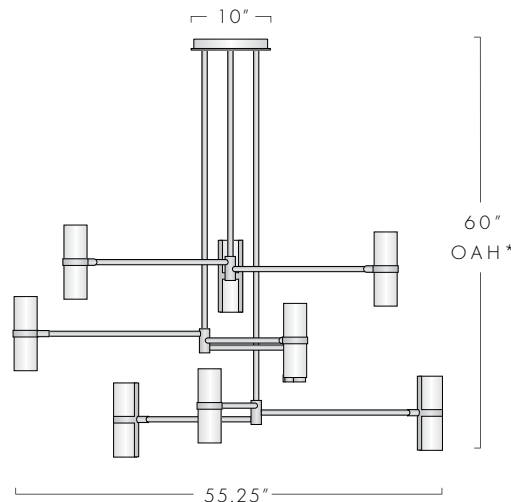
10" Diameter

ELECTRICAL

18 x E12 T6 6W LED bulb only



55.25" Diameter



10"

60"
OAH*

55.25"

